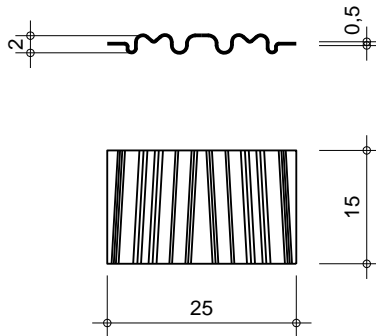


Scale = 1:1

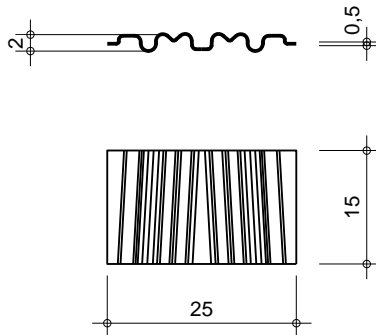
Article No. : 504348

Name : WN 15 / 25mm

corrugated form 1



corrugated form 2



Material UNE-FE-52

min. unit

Tensile strength 520 N/mm²

Zinc coating --- g/m²