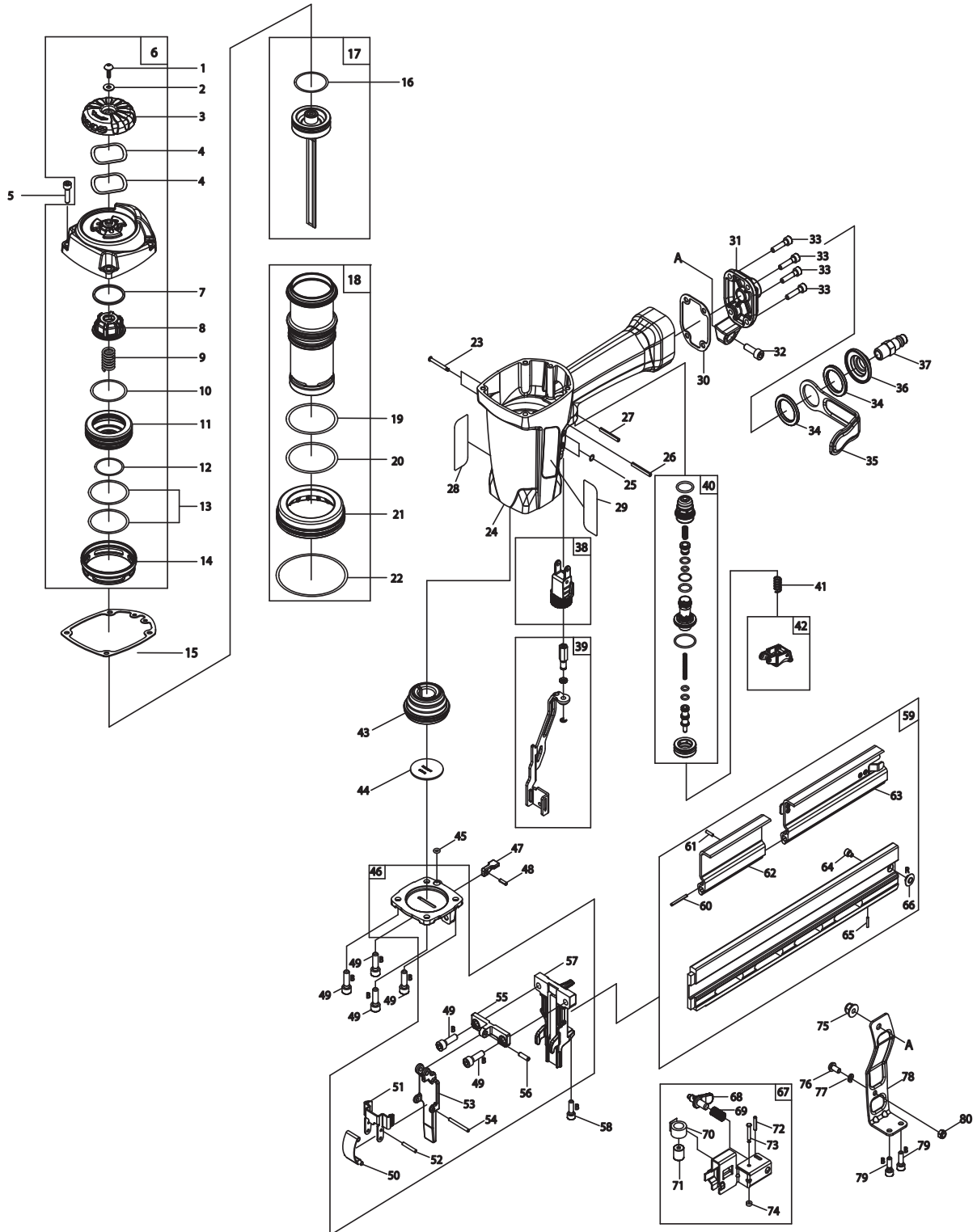


# STAPLER S200.2 S16 Contact

Part# 650415



**PARTS LEGEND****STAPLER S200.2 S16 Contact****Part #650415**

1	617012	1	UM Hd. Bolt	42	617448	1	Trigger Assembly Contact
2	617013	1	Flat Washer	42	577064	1	Trigger Assembly Sequential
3	617014	1	Exhaust Cover	43	515735	1	Bumper
4	617097	2	Wave Washers	44	515743	1	Washer
5	617015	4	Hex. Soc. Hd. Bolt	45	617077	1	O-Ring
6	515701	1	Cap Assembly	46	515710	1	Bottom Assembly
7	617017	1	Spacer	47	515717	1	Stopper
8	617018	1	Piston Stopper	48	515718	1	Rolled Pin
9	617019	1	Compression Spring	49	617079	6	Hex. Soc. HD Bolt
10	617021	1	O-Ring	50	515711	1	Spring Assembly
11	617022	1	Piston Head Valve	51	515720	1	Latch
12	617096	1	O-Ring	52	576435	1	Rolled Pin
13	617023	2	O-Ring	53	515745	1	Driver Guide Cover
14	617024	1	Collar	54	576437	1	Rolled Pin
15	617025	1	Cylinder Cap Seal	55	515723	1	Set Plate
16	617026	1	O-Ring	56	515724	1	Rolled Pin
17	515742	1	Driver Assembly	57	515747	1	Nose
18	515703	1	Cylinder Assembly	58	615936	1	Hex. Soc. HD Bolt+SW
19	617029	1	O-Ring	59	515748	1	Magazine Assembly
20	617031	1	O-Ring	60	576430	1	Rolled Pin
21	515715	1	Cylinder Ring	61	515727	1	Rolled Pin
22	617033	1	O-Ring	62	515728	1	Front Cover
23	617038	2	Step Pin	63	515729	1	Back Cover Assembly
24	617325	1	Housing/ w Thead Insert	64	503238	1	Hex. Soc. HD Bolt
25	617034	2	O-Ring	65	503205	1	Rolled Pin
26	617037	1	Rolled Pin	66	615909	1	Position Bushing
27	617036	1	Rolled Pin	67	515721	1	Pusher Assembly
28	515704	1	Paslude Logo Label	68	615915	1	Stopper
29	515705	1	Paslode Logo Label	69	615916	1	Spring
30	617039	1	Gasket	70	617478	1	Constant Force Spring
31	577061	1	End Cap	71	615923	1	Roller
32	515714	1	Hex Soc. HD Bolt	72	515731	1	Rolled Pin
33	617015	4	Hex Soc. HD Bolt	73	617361	1	Shaft
34	515716	2	Seal	74	576322	1	PU Ring
35	515736	1	Belt Hook	75	019571	1	Lock Nut
36	515737	1	Belt Hook Bracket	76	515734	1	UM HD Bolt
37	576338	1	Air Plug	77	515763	1	Spring Washer
38	515707	1	Depth of Drive Assy.	78	515733	1	Bracket
39	515708	1	Safety Assembly	79	617139	2	Hex. Soc. HD Bolt
40	576134	1	Bump Fire Trigger Kit	80	617057	1	Lock Nut
41	617053	1	Spring	81	577062	1	Model Label S200.2 S16